



## DESIGN

- Brookline 5000 Series Exit Devices Are Non Handed and Easily Reversible in The Field
- Auxillary Deadlatch Locks The Main Latcthbolt For Extra Security
- Exit Device Trim Though Bolts Through The Head of The Exit Device for Added Security and Proper Alignment
- The Channel of The Device is Constructed of 304 Stainless Steel
- The Touch Bar, Head Cover, and End Cap Are Also Constructed of 304 Stainless Steel

---

## PERFORMANCE

- Brookline E5000 Series Exit Devices Are Certified to ANSI/BHMA A156.3-2001- Grade 1
- Panic Listing With Fire Latch Bolt

---

## INSTALLATION

- Brookline 5000 Series Exit Devices Facilitates Quick and Seamless Installation
- Brookline Exit Devices And Trims are Non Handed and Easily Reversible in the field Unless The Lever is Handed.
- SNB are Provided on All Rim, Surface and Concealed Vertical Rod Devices
- Exit Device Trim Though Bolts Through The Head of The Exit Device for Added Security and Proper Alignment
- Brookline Exit Devices Have an Easily Removable Polymer Coating to Protect The Device During The Installation.

---

## SUGGESTED SPECIFICATION

- All Exit Devices Shall Have A Cadmium Plated Steel Chassis
- All Exit Device Trim Shall Have A Free Wheeling Clutch To Prevent Vandalism
- All Devices Shall Have 304 Stainless Steel Head Cover, Touch Bar, End Caps and Channels
- All Trim Housings Shall Be Constructed From Brass, Bronze or 304 Stainless Steel
- All Devices Shall Meet The Requirements of "The "Buy America Act"

**RIM EXIT DEVICE**

- Brookline 5110 and 5210 Devices Are Designed For All Types of Single or Double Doors With a Mullion
- All Brookline Rim Exit Devices Are Non Handed and Surface Mounted
- Brookline Wide Style 5110 Rim Device will Cover a 161 Cutout on a Single Door (Trim Required for The Exterior)
- Available Fire Rated for Fire Doors With 4' X 8' Door or a Pair of Doors With Mullion Up To 8' X 8'
- Brookline Rim Devices Are Surface Mounted On The Door And The Strike Is Surface Mounted In The Frame
- All Exposed Components are Constructed of 304 Stainless Steel

**MORTISE EXIT DEVICE**

- Brookline 5120 Series Mortise Exit Devices are Available for Single Doors and Double Doors with a Mullion
- All Brookline Mortise Devices are Field Reversible Except When Electrified or Lever Trim is Handed
- Available Fire Rated for Fire Doors With 4' X 8' Door or a Pair of Doors With a Mullion Up To 8' X 8'
- The Mortise Device Body Is Mounted Inside The Door And the Device Is Surface Applied.
- All Exposed Components are Constructed of 304 Stainless Steel

**SURFACE VERTICAL ROD EXIT DEVICE**

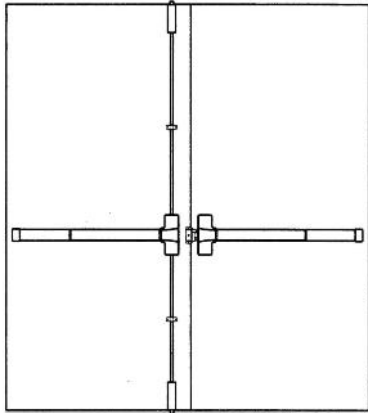
- Brookline 5130 and 5230 Surface Vertical Rod Exit Devices are Available for Single Doors and Double Doors
- A Brookline 5130 Wide Style SVR Device will Cover a 161 Cutout on a Single Door (Trim Required for The Exterior)
- Available Fire Rated for Fire Doors With 4' X 8' Door or a Pair of Doors Up To 8' X 8' For 3 Hours
- All Exposed Components including the rods are Constructed of 304 Stainless Steel
- Brookline Surface Vertical Rod Devices Are Designed to Mount On Existing Doors Without A Mullion

**CONCEALED VERTICAL ROD EXIT DEVICE**

- Brookline 5150 And 5250 Concealed Vertical Rod Exit Devices are Available for Single Doors and Double Doors
- Available Fire Rated for Fire Doors With 4' X 8' Door or a Pair of Doors Up To 8' X 8' For 3 Hours
- All Brookline 5150 And 5250 Series Concealed Vertical Rod Devices Are Non Handed
- Stainless Steel Rods are Concealed in The Door for Superior Aesthetics and to Prevent Damage
- All Exposed Components Plus The Internal rods are Constructed of 304 Stainless Steel
- Brookline Concealed Vertical Rod Devices Are Designed For Installation On Factory Prepared Doors

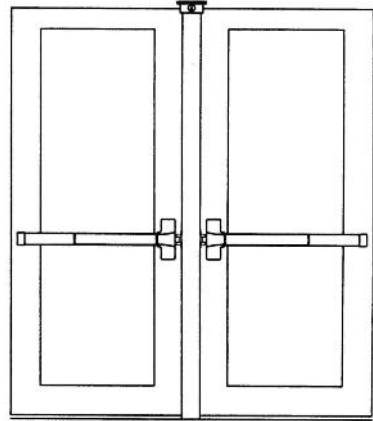
**TYPICAL EXIT DEVICE APPLICATIONS FOR DOUBLE DOORS** E-3

**Rim Device & SVR or CVR**



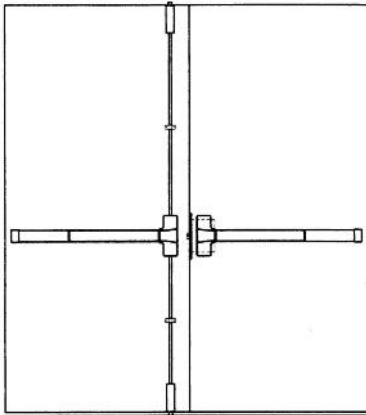
Overlapping astragal not required  
Coordinator required with double door strike

**Two Rim Devices & Mullion**



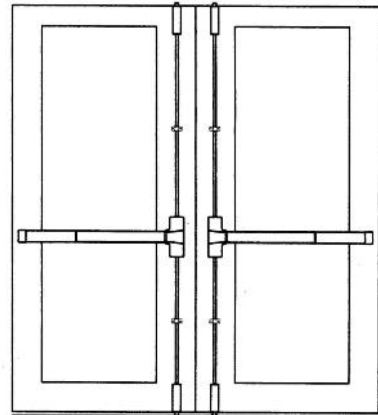
Independent Pair of Active Doors

**Mortise Device With SVR**



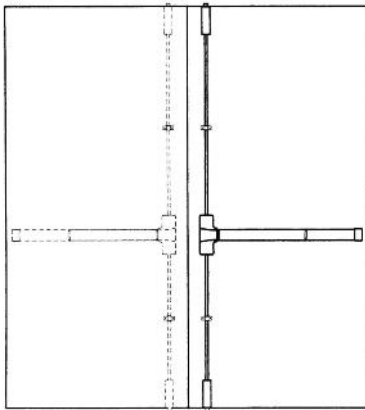
Overlapping astragal not required  
Coordinator required with Standard ANSI Strike

**Two SVR or CVR Devices**



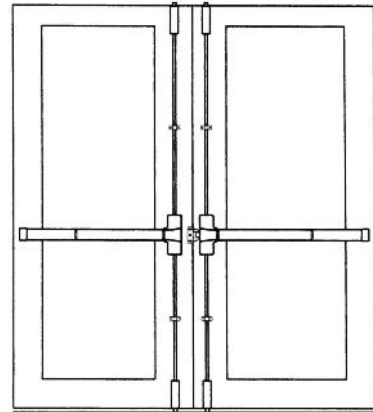
Overlapping astragal not required

**Two SVR or CVR Double Egress**



Overlapping astragal required or not  
See Door Manufacturers Labeling Requirements

**SVR & 3Point Latching Device**



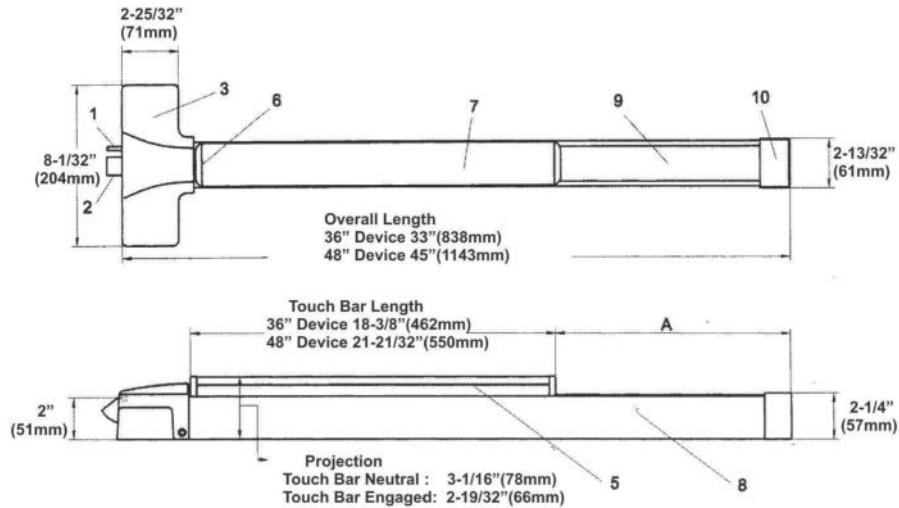
Overlapping astragal not required  
Coordinator required with double door strike

E-4 5110 & 5130 SERIES WIDE STYLE EXIT DEVICE PARTS DESCRIPTION & DIMENSIONS

**E5110 Series**

**Rim Device**

**Wide Style**

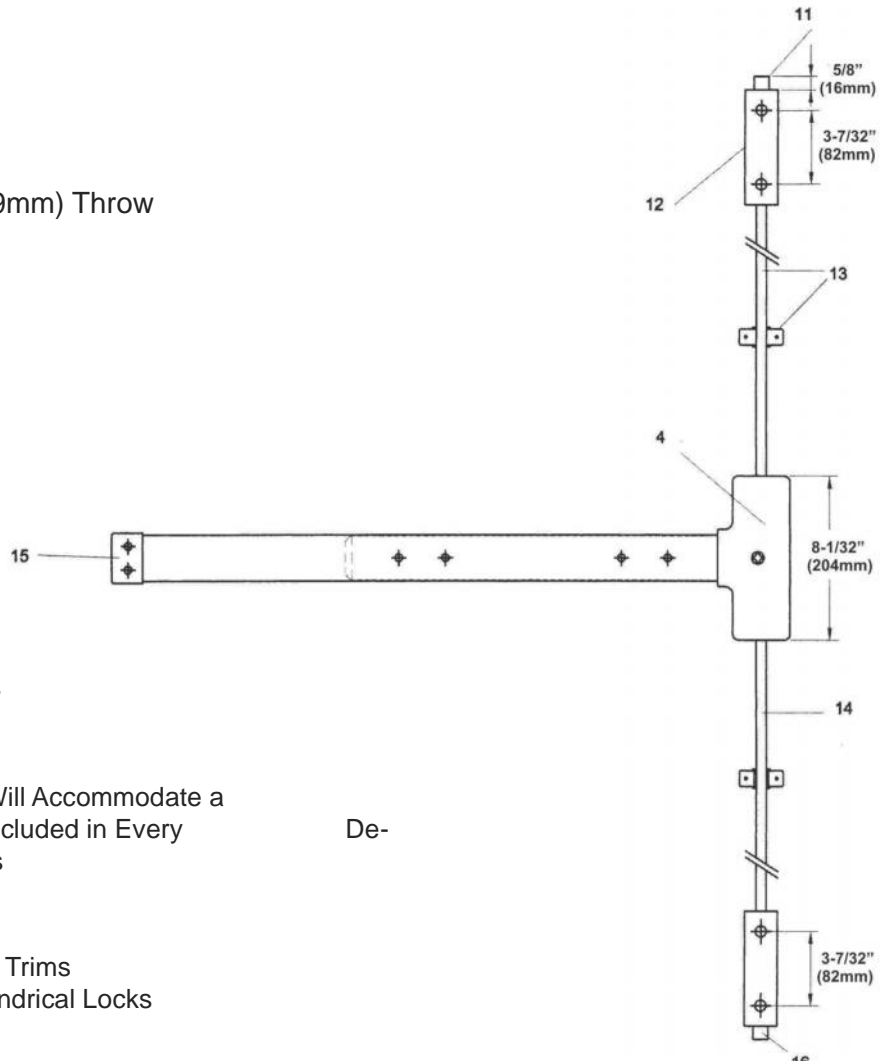


**E5130 Series**

**Surface Vertical Rod**

**Wide Style**

1. Auxiliary Dead Latch
2. Stainless Steel Latch Bolt, 3/4"(19mm) Throw
3. Head Cover
4. Chassis
5. Touch Bar
6. Touch Bar End Cap
7. Touch Bar Trim
8. Device Body
9. Rear Cover
10. End Cap
11. Top Latch, 5/8" (16mm) Throw
12. Latch Assembly Cover
- 13 Top Vertical Rod & Rod Guide
14. Bottom Vertical Rod
15. End Cap Bracket
16. Bottom Latch, 5/8" (16mm) throw



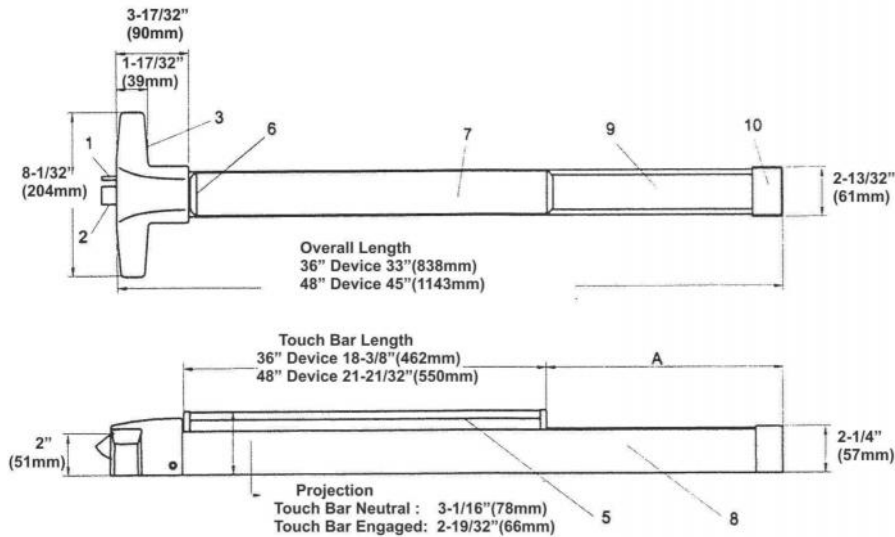
**Note:** Brookline Standard SVR & CVR Will Accommodate a 7'(2134mm) Door. Rod Extensions Are Included in Every vice to Accommodate 8'(2438mm) Doors

De-

**Note:** Brookline Wide Style Devices and Trims Will Cover A Standard 161 Prep For Cylindrical Locks

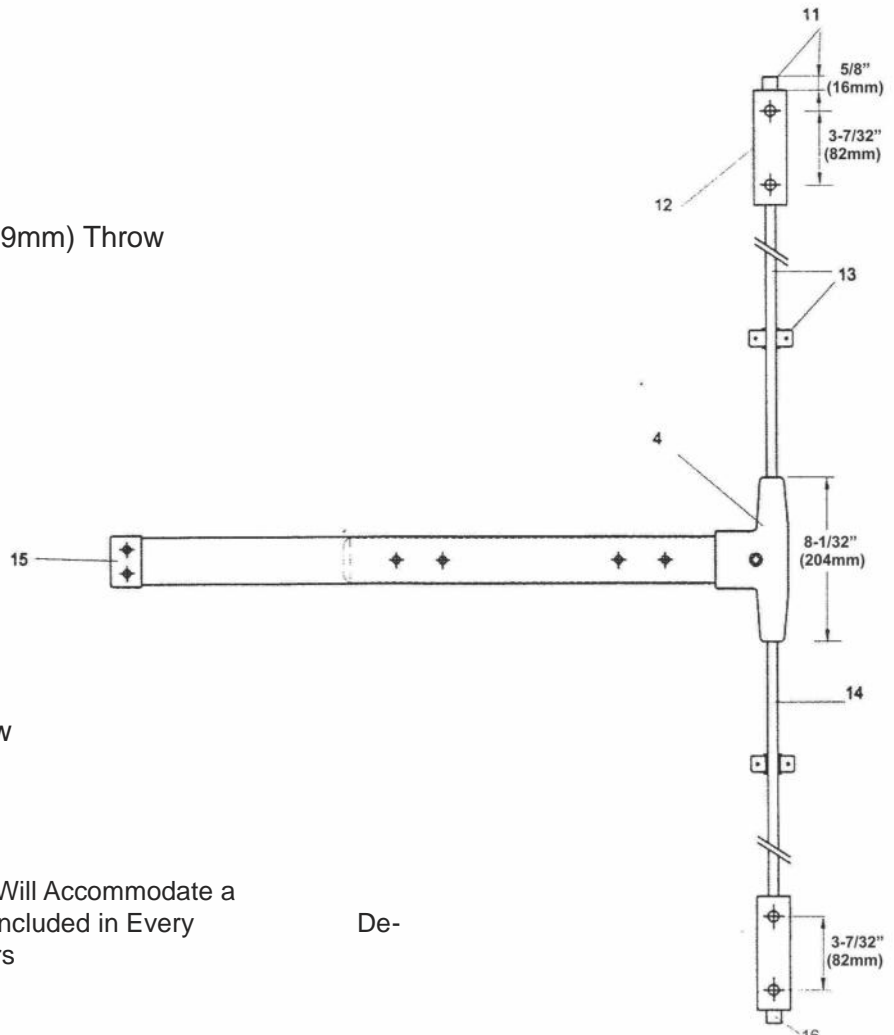
5210 & 5230 NARROW STYLE EXIT DEVICE NOMENCLATURE & DIMENSIONS E-5

**E5210 Series**  
Rim Device  
Narrow Style



**E5230 Series**  
Surface Vertical Rod  
Narrow Style

1. Auxiliary Dead Latch
2. Stainless Steel Latch Bolt, 3/4\"(19mm) Throw
3. Head Cover
4. Chassis
5. Touch Bar
6. Touch Bar End Cap
7. Touch Bar Trim
8. Device Body
9. Rear Cover
10. End Cap
11. Top Latch, 5/8\"(16mm) Throw
12. Latch Assembly Cover
13. Top Vertical Rod & Rod Guide
14. Bottom Vertical Rod
15. End Cap Bracket
16. Bottom Latch, 5/8\"(16mm) throw



**Note:** Brookline Standard SVR & CVR Will Accommodate a 7\"(2134mm) Door. Rod Extensions Are Included in Every vice to Accommodate 8\"(2438mm) Doors

De-

E-6	MODELS		ANSI NO	TYPE	FUNCTION DESCRIPTION
	<b>E5110-E5210</b>	<b>E5130-E5230</b>	<b>E5150-E5250</b>		
	RIM	SVR	CVR		Note: Exit Device Functions are Determined by Trim Please See Page 16
	Outside	Inside	Outside	Inside	Outside
					<b>01 Exit Only</b> Exit Only No Outside Trim Free Egress Inside By Touch Bar
					<b>14 Passage</b> Trim From Outside Trim Always Unlocked Turning Lever Allows Entry Free Egress Inside By Touch Bar
					<b>08 Classroom</b> Trim Outside Locked or Unlocked By Key Free Egress Inside By Touch Bar
					<b>09 Storeroom</b> Outside Trim Always Locked (Outside Lever Active) Key From Outside Allows Entry Free Egress Inside By Touch Bar

### Minimum Door Width For Exit Devices

Model	Description	Door Size	Minimum Door	Maximum Cut	Touch Bar
E5110	Rim Device Non Fire	36" (914mm)	30" (762mm)	6" (152mm)	18" (457mm)
E5110F	Rim Device Fire Rated	36" (914mm)	27" (686mm)	9" (229mm)	18" (457mm)
E5130	SVR Device Non Fire	36" (914mm)	30" (762mm)	6" (152mm)	18" (457mm)
E5130F	SVR Device Fire Rated	36" (914mm)	27" (686mm)	9" (229mm)	18" (457mm)
E5110	Rim Device Non Fire	48" (1219mm)	34" (864mm)	14" (356mm)	22" (559mm)
E5110F	Rim Device Fire Rated	48" (1219mm)	33" (838mm)	15" (381mm)	22" (559mm)
E5130	SVR Device Non Fire	48" (1219mm)	34" (864mm)	14" (356mm)	22" (559mm)
E5130F	SVR Device Fire Rated	48" (1219mm)	33" (838mm)	15" (381mm)	22" (559mm)



MODEL	PRODUCT DESCRIPTIONS & FEATURES	E-7
-------	---------------------------------	-----

**E5110**  
**E5110F**  
 RIM Exit Device  
 WIDE STYLE

**Certifications and Listings**

ANSI Certified: Fire and Non Fire Devices are ANSI A156.3 - 2001 Grade 1



Projection  
 13/16"(21mm)



**E-801**

Projection  
 13/16"(21mm)



**E-802**

**Specifications**

<b>Device Lengths</b>	Available For (36)" 33"(838mm) or, (48"), 45"(1137mm)
<b>Door Widths</b>	36" For 29" to 36" (736mm to 914mm) doors 48" For 33" to 48" (838mm to 1219mm) doors
<b>Minimum Stile Width</b>	4-1/4" (107mm)
<b>Latch Bolt</b>	3/4" (19mm) Throw, Deadlocking Latch (304 Stainless Steel)
<b>Strikes</b>	801 Strike For Panic. 802 Strike For Fire
<b>Dogging Kit</b>	Hex key dogging (5110 Device Only)
<b>Fire device</b>	No Mechanical Dogging
<b>Dogging Options</b>	Cylinder Dogging (CD). see page E-26
<b>Mounting Fasteners</b>	Non Fire Device - 1/4-20 Machine Screws Standard Fire Rated Device 1/4-20 x Sex Nuts and Bolts (SNB) supplied standard
<b>Wood Doors</b>	For wood doors, order SNB separately
<b>Mounting Height</b>	Device centerline from finished floor is 40" (1016mm) standard
<b>Projection</b>	Touch Bar Neutral: 3-1/16" (78mm). Touch Bar Depressed: 2-19/32" (66mm)

**How To Order Exit Device & Trim**

**E5110F-36-E580-70-IC6-630**

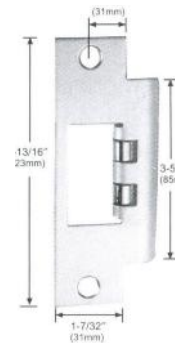


**Finishes :** 630 Standard, 605, 606, 610. 613, 619, 625, 626 By Special Order

**E5120**  
**E5120F**  
**MORTISE Exit Device**  
**WIDE STYLE**

**Certifications and Listings**

ANSI Certified: Fire and Non Fire Devices are ANSI A156.3 - 2001 Grade 1



**E-818**



**E-828**

**Specifications**

<b>Device Lengths</b>	Available For (36)" 33"(838mm) or, (48"), 45"(1137mm)
<b>Door Widths</b>	36" For 29" to 36" (736mm to 914mm) doors 48" For 33" to 48" (838mm to 1219mm) door
<b>Minimum Stile Width</b>	4-1/4" (107mm)
<b>Latch Bolt</b>	3/4" (19mm) Throw, Two-Piece Latchbolt (304 Stainless Steel) with Anti Friction Insert and Auxillary Deadlocking Latch
<b>Strikes</b>	Universal curved lip, non-handed, E818 For 5120, 828 For 5120F. Optional E831 For Panic or E832 For Fire flat ANSI Strike for door pairs With overlapping astragal
<b>Dogging Kit</b>	Hex key dogging (5110 Device Only)
<b>Fire device</b>	No Mechanical Dogging
<b>Dogging Options</b>	Cylinder Dogging (CD). see page E-26
<b>Mounting Fasteners</b>	Non Fire Device - 1/4-20 Machine Screws Standard Fire Fated Device 1/4-20 x Sex Nuts and Bolts (SNB) supplied standard
<b>Wood Doors</b>	For wood doors, order SNB separately
<b>Mounting Height</b>	Device centerline from finished floor is 40" (1016mm)
<b>Projection</b>	Touch Bar Neutral: 3-1/16" (78mm). Touch Bar Depressed: 2-19/32" (66mm)

**Finishes** : 630 Standard, 605, 606, 610. 613, 619, 625, 626 By Special Order



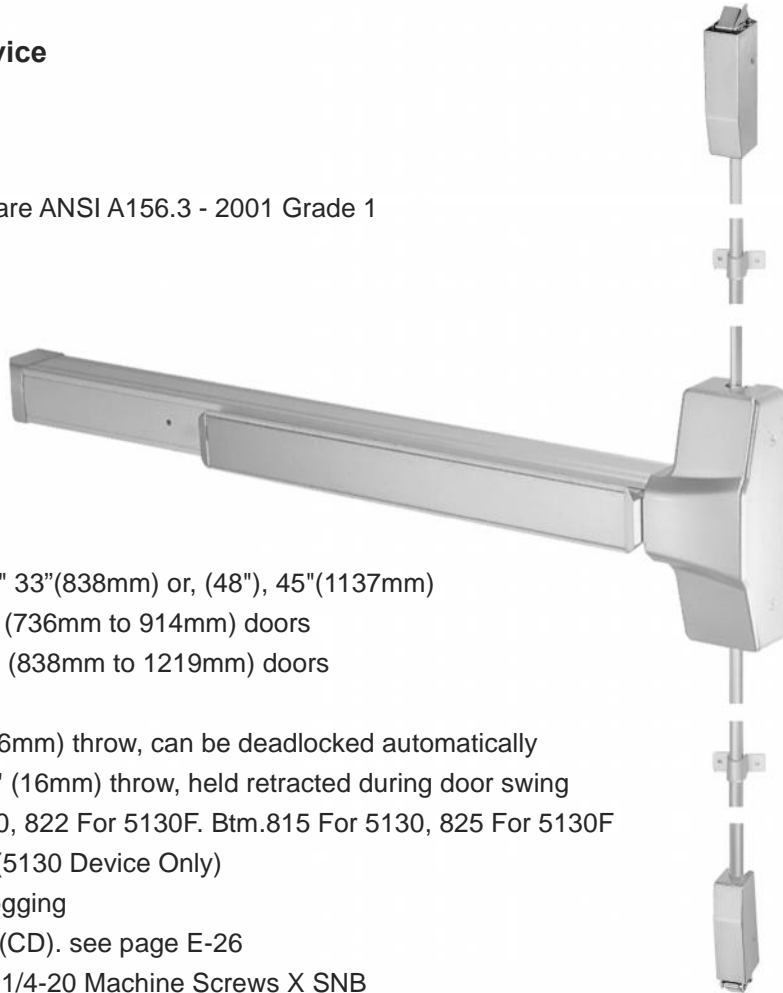


MODEL PRODUCT DESCRIPTIONS & FEATURES E-9

E5130
E5130F
SURFACE VERTICAL ROD Exit Device
WIDE STYLE

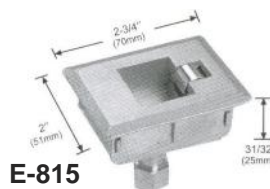
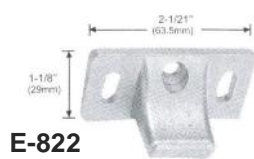
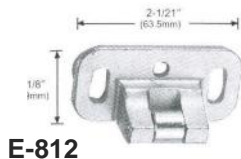
Certifications and Listings

ANSI Certified: Fire and Non Fire Devices are ANSI A156.3 - 2001 Grade 1



Specifications

- Device Lengths Available For (36)" 33"(838mm) or, (48"), 45"(1137mm)
Door Widths 36" For 29" to 36" (736mm to 914mm) doors
48" For 33" to 48" (838mm to 1219mm) doors
Minimum Stile Width 4-1/4" (107mm)
Latch Bolt Top latch - 5/8" (16mm) throw, can be deadlocked automatically
Bottom latch - 5/8" (16mm) throw, held retracted during door swing
Strikes Top - 812 For 5130, 822 For 5130F. Btm.815 For 5130, 825 For 5130F
Dogging Kit Hex key dogging (5130 Device Only)
Fire device No Mechanical Dogging
Dogging Options Cylinder Dogging (CD). see page E-26
Mounting Fasteners Non Fire Device - 1/4-20 Machine Screws X SNB
Fire Fated Device 1/4-20 x Sex Nuts and Bolts (SNB)
Mounting Height Device centerline from finished floor is 40" (1016mm) standard
Projection Touch Bar Neutral: 3-1/16" (78mm). Touch Bar Depressed: 2-19/32" (66mm)
Door Opening Height Standard door height is 7', 8' is available
Vertical Rods 1/2" (13mm) diameter tube with rod guides
Top rod has two pieces to connect for accommodating 7' or 8' door
Bottom rod is one piece, its length is 31-1/4" (794mm)



Finishes : 630 Standard, 605, 606, 610. 613, 619, 625, 626 By Special Order

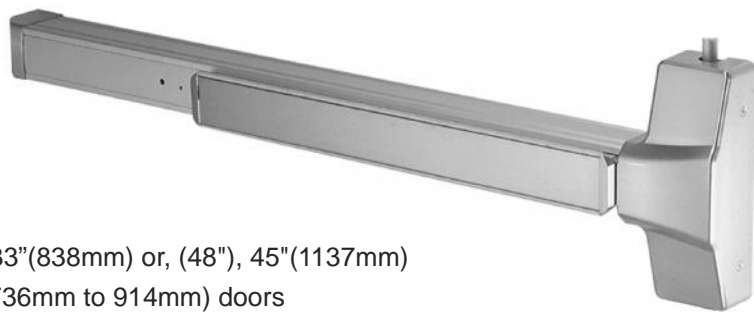
**E5130 LBR**

**E5130F LBR**

**SURFACE VERTICAL ROD Exit Device LBR (Less Bottom Rod)  
WIDE STYLE**

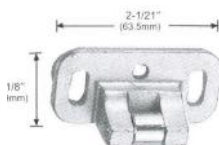
**Certifications and Listings**

ANSI Certified: Fire and None Fire Devices are ANSI A156.3 - 2001 Grade 1

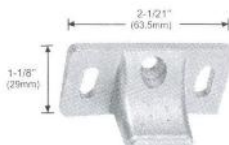


**Specifications**

<b>Device Lengths</b>	Available For (36)" 33"(838mm) or, (48"), 45"(1137mm)
<b>Door Widths</b>	36" For 29" to 36" (736mm to 914mm) doors 48" For 33" to 48" (838mm to 1219mm) doors
<b>Minimum Stile Width</b>	4-1/4" (107mm)
<b>Latch Bolt</b>	Top latch - 5/8" (16mm) throw, can be deadlocked automatically
<b>Strikes</b>	Top E812 For 5130LBR, E822 For 5130F.LBR or E869 For 5130 LBR or 5130F LBR
<b>Dogging Kit</b>	Hex key dogging (5130 LBR Device Only)
<b>Fire device</b>	No Mechanical Dogging
<b>Dogging Options</b>	Cylinder Dogging (CD). see page E-26
<b>Mounting Fasteners</b>	Non Fire Device - 1/4-20 Machine Screws SNB For Top Latch Fire Rated Device 1/4-20 x Sex Nuts and Bolts (SNB)
<b>Mounting Height</b>	Device centerline from finished floor is 40" (1016mm) standard
<b>Projection</b>	Touch Bar Neutral: 3-1/16" (78mm). Touch Bar Depressed: 2-19/32" (66mm)
<b>Door Opening Height</b>	Standard door height is 7', 8' is available
<b>Vertical Rods</b>	1/2" (13mm) diameter tube with rod guides Top rod has two pieces to connect for accommodating 7' or 8' door
<b>Projection</b>	Touch Bar Neutral: 3-1/16" (78mm), Touch Bar Depressed: 2-19/32" (66mm)



**E-812**



**E-822**



**E-689**

**Finishes :** 630 Standard, 605, 606, 610. 613, 619, 625, 626 By Special Order



**MODEL** **PRODUCT DESCRIPTIONS & FEATURES** **E-11**

**E5150**  
**E5150F**  
**CONCEALED VERTICAL ROD Exit Device**  
**WIDE STYLE**

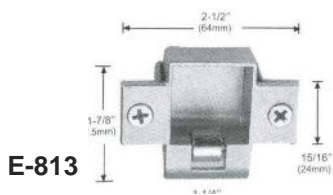
**Certifications and Listings**

ANSI Certified: Fire and Non Fire Devices are ANSI A156.3 - 2001 Grade 1

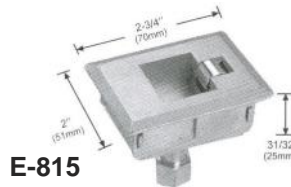
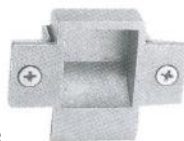


**Specifications**

<b>Device Lengths</b>	Available For (36)" 33"(838mm) or, (48"), 45"(1137mm)
<b>Door Widths</b>	36" For 29" to 36" (736mm to 914mm) doors 48" For 33" to 48" (838mm to 1219mm) doors
<b>Minimum Stile Width</b>	4-1/4" (107mm)
<b>Latch Bolt</b>	Top latch - 5/8" (16mm) throw, can be deadlocked automatically Bottom latch - 5/8" (16mm) throw, held retracted during door swing
<b>Strikes</b>	Top - E813 For 5150, E822 For 5100F. Btm.815 For 5150, 825 For 5150F
<b>Dogging Kit</b>	Hex key dogging (5150 Device Only)
<b>Fire device</b>	No Mechanical Dogging
<b>Dogging Options</b>	Cylinder Dogging (CD). see page E-26
<b>Mounting Fasteners</b>	Non Fire Device - 1/4-20 Machine Screws X SNB Fire Fated Device 1/4-20 x Sex Nuts and Bolts (SNB)
<b>Mounting Height</b>	Device centerline from finished floor is 40" (1016mm) standard
<b>Projection</b>	Touch Bar Neutral: 3-1/16" (78mm). Touch Bar Depressed: 2-19/32" (66mm)
<b>Door Opening Height</b>	Standard door height is 7', 8' is available
<b>Vertical Rods</b>	1/2" (13mm) diameter tube with rod guides Top rod has two pieces to connect for accommodating 7' or 8' door Bottom rod is one piece, its length is 31-1/4 (794mm)



**E-823**



**E-825**

**Finishes** : 630 Standard, 605, 606, 610. 613, 619, 625, 626 By Special Order

**E5150 WD**  
**E5150F WD**  
**CONCEALED VERTICAL ROD Exit Device (FOR WOOD DOORS)**  
**WIDE STYLE**

**Certifications and Listings**

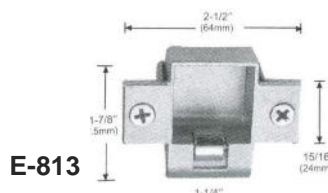
ANSI Certified: Fire and None Fire Devices are ANSI A156.3 - 2001 Grade 1



Reinforcing Plate

**Specifications**

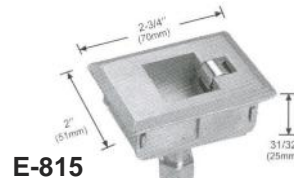
<b>Device Lengths</b>	Available For (36)" 33"(838mm) or, (48"), 45"(1137mm)
<b>Door Widths</b>	36" For 29" to 36" (736mm to 914mm) doors 48" For 33" to 48" (838mm to 1219mm) doors
<b>Minimum Stile Width</b>	4-1/4" (107mm)
<b>Latch Bolt</b>	Top latch - 5/8" (16mm) throw, can be deadlocked automatically Bottom latch - 5/8" (16mm) throw, held retracted during door swing
<b>Strikes</b>	Top - E813 For 5150, E822 For 5100F. Btm.815 For 5150, 825 For 5150F
<b>Dogging Kit</b>	Hex key dogging (5150 WD Device Only)
<b>Fire device</b>	No Mechanical Dogging
<b>Dogging Options</b>	Cylinder Dogging (CD). see page E-26
<b>Mounting Fasteners</b>	Non Fire Device - 1/4-20 Machine Screws X SNB Fire Fated Device 1/4-20 x Sex Nuts and Bolts (SNB)
<b>Mounting Height</b>	Device centerline from finished floor is 40" (1016mm) standard
<b>Projection</b>	Touch Bar Neutral: 3-1/16" (78mm). Touch Bar Depressed: 2-19/32" (66mm)
<b>Door Opening Height</b>	Standard door height is 7', 8' is available
<b>Vertical Rods</b>	1/2" (13mm) diameter tube with rod guides Top rod has two pieces to connect for accommodating 7' or 8' door Bottom rod is one piece, its length is 31-1/4 (794mm)



E-813



E-823



E-815



E-825

**Finishes :** 630 Standard, 605, 606, 610. 613, 619, 625, 626 By Special Order



**MODEL** **PRODUCT DESCRIPTIONS & FEATURES** **E-13**

**E5210**  
**E5210F**  
**RIM Exit Device**  
**NARROW STYLE**

**Certifications and Listings**

ANSI Certified: Fire and Non Fire Devices are ANSI A156.3 - 2001 Grade 1



Projection  
 13/16" (21mm)



**E-801**

**Specifications**

<b>Device Lengths</b>	Available For (36)" 33"(838mm) or, (48"), 45"(1137mm)
<b>Door Widths</b>	36" For 29" to 36" (736mm to 914mm) doors 48" For 33" to 48" (838mm to 1219mm) doors
<b>Minimum Stile Width</b>	2-19/32" (66mm)
<b>Latch Bolt</b>	3/4" (19mm) Throw, Deadlocking Latch (304 Stainless Steel)
<b>Strikes</b>	801 Strike For Panic. 802 Strike For Fire
<b>Dogging Kit</b>	Hex key dogging (5210 Device Only)
<b>Fire device</b>	No Mechanical Dogging
<b>Dogging Options</b>	Cylinder Dogging (CD). see page E-26
<b>Mounting Fasteners</b>	Non Fire Device - 1/4-20 Machine Screws Standard Fire Fated Device 1/4-20 x Sex Nuts and Bolts (SNB) supplied standard
<b>Wood Doors</b>	For wood doors, order SNB separately
<b>Mounting Height</b>	Device centerline from finished floor is 40" (1016mm) standard
<b>Projection</b>	Touch Bar Neutral: 3-1/16" (78mm). Touch Bar Depressed: 2-19/32" (66mm)

Projection  
 13/16" (21mm)



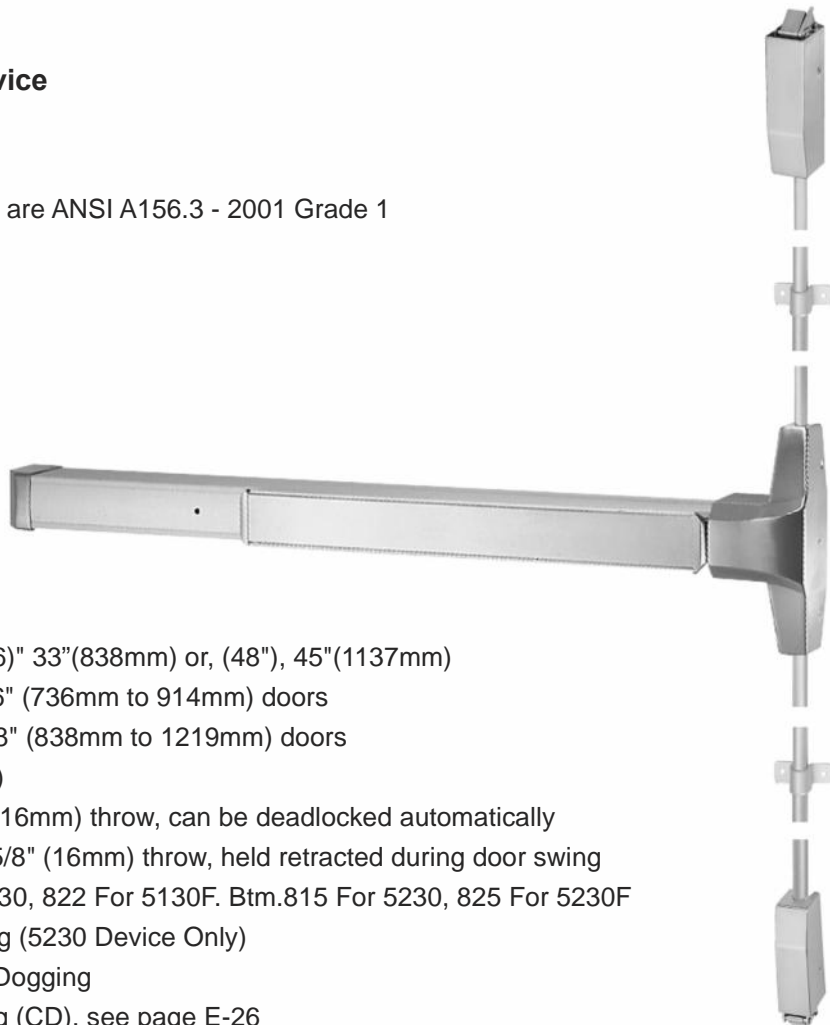
**E-802**

**Finishes :** 630 Standard, 605, 606, 610. 613, 619, 625, 626 By Special Order

**E5230**  
**E5230F**  
**SURFACE VERTICAL ROD Exit Device**  
**NARROW STYLE**

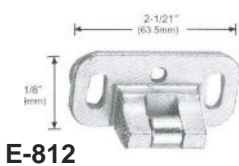
**Certifications and Listings**

ANSI Certified: Fire and Non Fire Devices are ANSI A156.3 - 2001 Grade 1

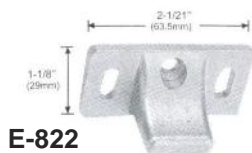


**Specifications**

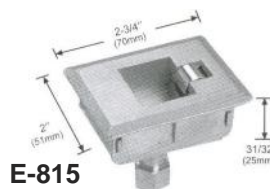
<b>Device Lengths</b>	Available For (36)" 33"(838mm) or, (48)", 45"(1137mm)
<b>Door Widths</b>	36" For 29" to 36" (736mm to 914mm) doors 48" For 33" to 48" (838mm to 1219mm) doors
<b>Minimum Stile Width</b>	2-19/32" (66mm)
<b>Latch Bolt</b>	Top latch - 5/8" (16mm) throw, can be deadlocked automatically Bottom latch - 5/8" (16mm) throw, held retracted during door swing
<b>Strikes</b>	Top - 812 For 5230, 822 For 5130F. Btm.815 For 5230, 825 For 5230F
<b>Dogging Kit</b>	Hex key dogging (5230 Device Only)
<b>Fire device</b>	No Mechanical Dogging
<b>Dogging Options</b>	Cylinder Dogging (CD). see page E-26
<b>Mounting Fasteners</b>	Non Fire Device - 1/4-20 Machine Screws X SNB Fire Fated Device 1/4-20 x Sex Nuts and Bolts (SNB)
<b>Mounting Height</b>	Device centerline from finished floor is 40" (1016mm) standard
<b>Projection</b>	Touch Bar Neutral: 3-1/16" (78mm). Touch Bar Depressed: 2-19/32" (66mm)
<b>Door Opening Height</b>	Standard door height is 7', 8' is available
<b>Vertical Rods</b>	1/2" (13mm) diameter tube with rod guides Top rod has two pieces to connect for accommodating 7' or 8' door Bottom rod is one piece, its length is 31-1/4 (794mm)



**E-812**



**E-822**



**E-815**



**E-825**

**Finishes :** 630 Standard, 605, 606, 610. 613, 619, 625, 626 By Special Order

MODEL	PRODUCT DESCRIPTIONS & FEATURES	E-15
-------	---------------------------------	------

**E5250**  
**E5250F**  
**CONCEALED VERTICAL ROD Exit Device**  
**NARROW STYLE**

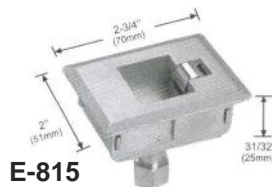
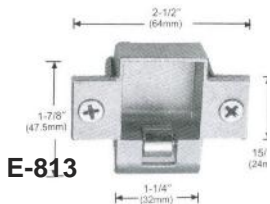
**Certifications and Listings**

ANSI Certified: Fire and Non Fire Devices are ANSI A156.3 - 2001 Grade 1



**Specifications**

<b>Device Lengths</b>	Available For (36)" 33"(838mm) or, (48)", 45"(1137mm)
<b>Door Widths</b>	36" For 29" to 36" (736mm to 914mm) doors 48" For 33" to 48" (838mm to 1219mm) doors
<b>Minimum Stile Width</b>	2-19/32" (66mm)
<b>Latch Bolt</b>	Top latch - 5/8" (16mm) throw, can be deadlocked automatically Bottom latch - 5/8" (16mm) throw, held retracted during door swing
<b>Strikes</b>	Top - 812 For 5130, 822 For 5130F. Btm.815 For 5130, 825 For 5130F
<b>Dogging Kit</b>	Hex key dogging (5110 Device Only)
<b>Fire device</b>	No Mechanical Dogging
<b>Dogging Options</b>	Cylinder Dogging (CD). see page E-26
<b>Mounting Fasteners</b>	Non Fire Device - 1/4-20 Machine Screws X SNB Fire Fated Device 1/4-20 x Sex Nuts and Bolts (SNB)
<b>Mounting Height</b>	Device centerline from finished floor is 40" (1016mm) standard
<b>Projection</b>	Touch Bar Neutral: 3-1/16" (78mm). Touch Bar Depressed: 2-19/32" (66mm)
<b>Door Opening Height</b>	Standard door height is 7', 8' is available
<b>Vertical Rods</b>	1/2" (13mm) diameter tube with rod guides Top rod has two pieces to connect for accommodating 7' or 8' door Bottom rod is one piece, its length is 31-1/4 (794mm)



**Finishes :** 630 Standard, 605, 606, 610. 613, 619, 625, 626 By Special Order

# Exit Device Trim



## E-16 MODEL ANSI NO PRODUCT DESCRIPTIONS & FEATURES

**E500D**      **02**

- Dummy Escutcheon Trim
- Pull When Dogged
- Lever Rigid at All Times
- Escutcheon Plate Dimensions  
9-7/16" x 2-15/26" x 13/16" (240mm x75mm x 21mm)
- Lever Rigid at All Times
- Trim Through Bolts Through The Device Head To Maintain Proper Alignment and For Greater Security



**E510**      **14**

- Passage Escutcheon Trim
- Lever Always Active
- Turning Lever Retracts Latchbolt
- Escutcheon Plate Dimensions  
9-7/16" x 2-15/26" x 13/16" (240mm x75mm x 21mm)
- Trim Through Bolts Through The Device Head To Maintain Proper Alignment and For Greater Security



**E570**      **03**

- Classroom Escutcheon Trim
- Key Locks or Unlocks Outside Lever
- Outside Lever Always Active (Freewheeling)
- Escutcheon Plate Dimensions  
9-7/16" x 2-15/26" x 13/16" (240mm x75mm x 21mm)
- Trim Requires 1 1/4" Mortise Cylinder
- Trim Through Bolts Through The Device Head To Maintain Proper Alignment and For Greater Security



**E580**      **08**

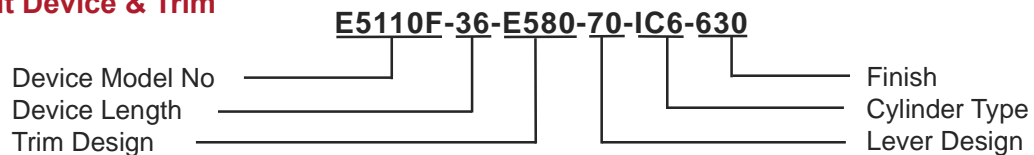
- Storeroom Escutcheon Trim
- Turning Key Withdraws Latchbolt on Device
- Trim Always Locked
- Outside Lever Always Active (Freewheeling)
- Escutcheon Plate Dimensions  
9-7/16" x 2-15/26" x 13/16" (240mm x75mm x 21mm)
- Trim Requires Standard Rim Cylinder or IC Shell
- Trim Through Bolts Through The Device Head To Maintain Proper Alignment and For Greater Security



**Technical Note:** All Escutcheon Housings are Constructed of Brass, Bronze Or Stainless Steel

**Finishes :** 630 Standard, 605, 606, 610. 613, 619, 625, 626 By Special Order

### How To Order Exit Device & Trim







MODEL ANSI NO PRODUCT DESCRIPTIONS & FEATURES E-17

E510M  
Mortise  
Devices

14

- Passage Escutcheon Trim
- Lever Always Active
- Turning Lever Retracts Latchbolt
- Escutcheon Plate Dimensions  
9-7/16" x 2-15/26" x 13/16" (240mm x75mm x 21mm)
- Trim Through Bolts Through The Device Head To  
Maintain Proper Alignment and For Greater Security



E570M  
Mortise  
Devices

03

- Classroom Escutcheon Trim
- Key Locks or Unlocks Outside Lever
- Outside Lever Always Active (Freewheeling)
- Escutcheon Plate Dimensions  
9-7/16" x 2-15/26" x 13/16" (240mm x75mm x 21mm)
- Trim Requires 1 1/4" Mortise Cylinder
- Trim Through Bolts Through The Device Head To  
Maintain Proper Alignment and For Greater Security



E580M  
Mortise  
Devices

08

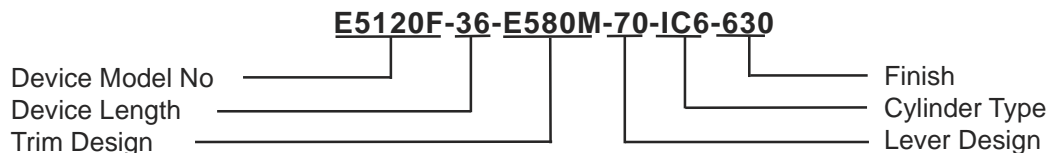
- Storeroom Escutcheon Trim
- Turning Key Withdraws Latchbolt on Device
- Trim Always Locked
- Outside Lever Always Active (Freewheeling)
- Escutcheon Plate Dimensions  
9-7/16" x 2-15/26" x 13/16" (240mm x75mm x 21mm)
- Trim Requires Standard Rim Cylinder or IC Shell
- Trim Through Bolts Through The Device Head To  
Maintain Proper Alignment and For Greater Security



Technical Note: All Escutcheon Housings are Constructed of Brass, Bronze Or Stainless Steel

Finishes : 630 Standard, 605, 606, 610. 613, 619, 625, 626 By Special Order

How To Order Mortise Exit Dev & Trim



E-18 MODEL ANSI NO PRODUCT DESCRIPTIONS & FEATURES

**E510N**      **14**      • Passage Escutcheon Trim  
 Rim            • Lever Always Active  
 SVR            • Turning Lever Retracts Latchbolt  
 CVR            • Escutcheon Plate Dimensions  
 Devices        7-7/8" x 1-11/16" x 13/16" (200mm x43mm x 21mm)  
                   • Trim Through Bolts Through The Device Head To  
                   Maintain Proper Alignment and For Greater Security



**E520N**      **03**      • Classroom Escutcheon Trim  
 Rim            • Key Locks or Unlocks Outside Lever  
 SVR            • Outside Lever Always Active (Freewheeling)  
 CVR            • Escutcheon Plate Dimensions  
 Devices        7-7/8" x 1-11/16" x 13/16" (200mm x43mm x 21mm)  
                   • Trim Requires 1 1/4" Mortise Cylinder  
                   • Trim Through Bolts Through The Device Head To  
                   Maintain Proper Alignment and For Greater Security



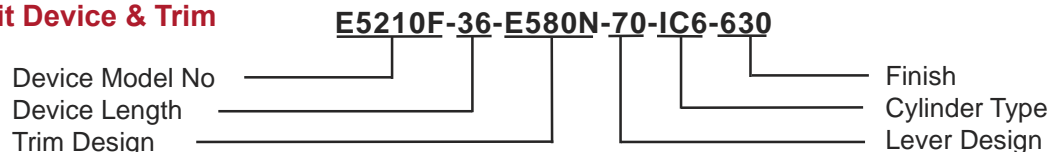
**E580N**      **08**      • Storeroom Escutcheon Trim  
 Rim            • Turning Key Withdraws Latchbolt on Device  
 SVR            • Trim Always Locked  
 CVR            • Outside Lever Always Active (Freewheeling)  
 Devices        • Escutcheon Plate Dimensions  
                   7-7/8" x 1-11/16" x 13/16" (200mm x43mm x 21mm)  
                   • Trim Requires Standard Rim Cylinder or IC Shell  
                   • Trim Through Bolts Through The Device Head To  
                   Maintain Proper Alignment and For Greater Security



**Technical Note:** All Escutcheon Housings are Constructed of Brass, Bronze Or Stainless Steel

**Finishes :** 630 Standard, 605, 606, 610. 613, 619, 625, 626 By Special Order

**How To Order Exit Device & Trim**





**E-20 MODEL ANSI NO PRODUCT DESCRIPTIONS & FEATURES**

**E580EL**      **08**

- Storeroom Escutcheon Trim
- Turning Key Unlocks Lever To Withdraw Latchbolt
- Trim Locked When Power Applied
- Trim Unlocks When Power Removed (Fail Safe)
- Multi Voltage 12 or 24 VDC
- Escutcheon Plate Dimensions  
9-7/16" x 2-15/26" x 13/16" (240mm x75mm x 21mm)
- Trim Requires Standard 1-1/4" Mortise Cylinder or IC Shell
- Trim Through Bolts Through The Device Head To Maintain Proper Alignment and For Greater Security

Rim  
SVR  
CVR  
Devices  
(Fail Safe)  
E5100 Series



**E580EU**      **08**

- Storeroom Escutcheon Trim
- Turning Key Unlocks Lever To Withdraw Latchbolt
- Trim Unlocks When Power Applied
- Trim Locks When Power Removed (Fail Secure)
- Multi Voltage 12 or 24 VDC
- Outside Lever Always Active (Freewheeling)
- Escutcheon Plate Dimensions  
9-7/16" x 2-15/26" x 13/16" (240mm x75mm x 21mm)
- Trim Requires Standard 1-1/4" Mortise Cylinder or IC Shell
- Trim Through Bolts Through The Device Head To Maintain Proper Alignment and For Greater Security

Rim  
SVR  
CVR  
Devices  
Fail Secure  
E5100 Series



**Finishes** : 630 Standard, 605, 606, 610. 613, 619, 625, 626 By Special Order

**EPS1N**  
Regulated 24VDC  
Electrified Trim Power Supply

**Input voltage** 120VAC  
**Output voltage** 24 VDC regulated @ 1A  
**Temperature range** - 0 to 120 F  
**Input** 1 solid-state input  
**Output** 1 solid-state output  
**LED** - Red = power indicator  
**LED** Green = Channel on  
**Dimensions** - 10"(254)x 10"(254) x 4"(102)



**Specifications**

- Solid-state electronic relay
- One dry inputs and one wet output
- Built In Fire Alarm Contacts
- Solid-state reverse polarity protection for battery connections



MODEL	PRODUCT DESCRIPTIONS & FEATURES	E-21
-------	---------------------------------	------

**Electrified Exit and Panic Devices**

Electrified Exit and Panic Devices Are Available in a Wide Variety of Configurations to meet your Access Control and Security Requirements as well as Your Fire Life Safety Considerations. Our Rim, Surface and Concealed Vertical Rod Devices are Available With Any Combination of Our Current Options. Our Mortise Exit Device is Only Available With Latch Bolt Monitoring and Request to Exit, Due to Limitations of The Size of The Mortise Lock Body. Please See Our Options Listed Below.

**LBR (Latch Bolt Retraction)**

- Latchbolt Retraction withdraws the Latchbolt From The Device Strike. Permitting Access From The Secure Side
- Motor Driven Latchbolt Retraction is Quiet And More Efficient Than Traditional Solenoids
- Low Current Inrush Reduces Costs by Eliminating The Need For Specialty Power Supplies
- Low Current Draw Also Reduces The Wire Gauge And Increases The Distance The Power Supply Can be Mounted From The Device
- Traditional Solenoid Latch Retraction Is Available By Special Order.

**Technical Note:**

Latchbolt Retraction Can Not Be Use On A Fire Rated Opening, Unless The Device Power Supply is Also Fire Rated And Tied Into The Fire Life Safety System. Other Restrictions May Apply. Please Consult The Local AHJ (Authority Having Jurisdiction)

**LBM (Latch Bolt Monitoring)**

- Latchbolt Monitoring Sends a Signal From a Form C Relay to An Access or Security System When The Device Latchbolt is Drawn Into The Head of The Device By Either an Egress or an Entry From Outside By Trim or By Key.

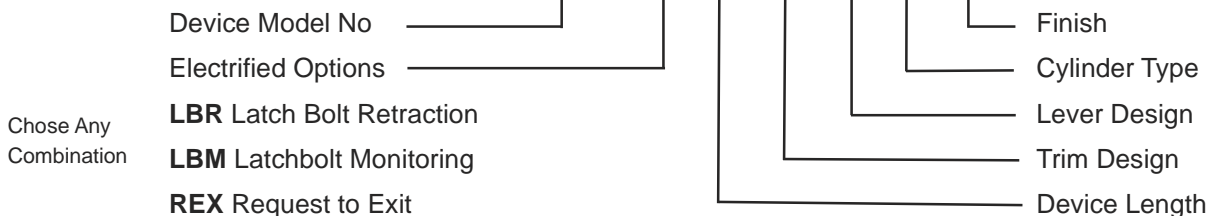
**REX (Request To Exit)**

- Request To Exit Sends a Signal From a Form C Relay to An Access or Security System When an Authorized Exit is Made From The Egress Side Of The Opening, By Depressing The Exit Device Touch Bar.

**How To Order**

**Electrified Exit Device With Trim**

**E5110F-LBR-36-E580-70-IC6-630**



**EPS2**

Regulated 24VDC  
Exit Device Power Supply

**Input voltage** 120VAC  
**Output voltage** 24 VDC regulated @ 2.3A  
**Temperature range** - 0 to 120 F  
**Inputs** 2 solid-state inputs  
**Outputs** 2 solid-state outputs  
**LED** - Red = power indicator  
**LED** Green = Channel on  
**Dimensions** - 12.5" x 15" x 4"



**Specifications**

- Solid-state electronic relays
- Thermal overload sensing reduces risk of failure due to overheating
- Two independent dry inputs and two independent wet outputs
- Built In Fire Alarm Contacts
- Intelligent short circuit detection detects shorts and isolates the short to the output
- Efficient battery backup/charging circuitry with zero voltage drop at power loss
- Solid-state reverse polarity protection for battery connections
- Audible alert when sensing AC power failure & low battery
- Requires (2)ea. 12V 7 amp hour batteries (batteries available at an additional charge)

**P-NP7-12FR**

SEALED LEAD ACID BATTERY

**Specifications**

Chemistry      Lead Acid  
Voltage        12DC  
Capacity       7Ah  
Rating WH     84  
Cellnum       6  
Connector     F1  
Warranty      1 Year





CONSTANT LATCHING AND AUTOMATIC FLUSH BOLTS E-23

Constant Latching Flush Bolts

Brookline Self Latching Flush Bolt (A Label 3 Hour Fire Exit Hardware) Is Constant Latching And is Designed to operate in Conjunction With Our EFLB Fire Latch Bolt or an Bottom Automatic Flush Bolt. A Self Latching Flushbolt Installed on the top of an inactive door remains latched until the active door is opened, releasing the Self latching Bolt The Inactive door will relatch automatically when closed.

ECFBM Constant Latching Flush Bolt For Metal Doors

ECFBW Constant Latching Flush Bolt For Metal Doors



Specifications:

- Label: A Label (# Hour Fire Exit Hardware)
Hand: Non Handed
Face Plate: 1" x 6-3/4"(25.4mm x 171mm)
Strike: 2-1/4" x 15/16"(57mm x 24mm)

Automatic Flush Bolts

Brookline Automatic Flush Bolts (A Label 3 Hour Fire Exit Hardware) Are Used on The Inactive Door in a Pair of Doors. The inactive door is latched when active door closes, bolts retract when active door is opened Brookline Auto Flush Bolts May Also Be Used With The EFLB Fire Latch Bolt in Place of The Bottom Auto Flush Bolt Where Floor Conditions Are Not Favorable.

EAFBM Automatic Flush Bolt For Metal Doors

EAFBW Automatic Flush Bolt For Wood Doors



Specifications:

- Label: A Label (3 Hour Fire Exit Hardware)
Hand: Non Handed
Face Plate: 1" x 8-1/2"(25.4mm x 216mm)
Strike: 2-1/4" x 15/16"(57mm x 24mm)

**E7100**

Key Removable

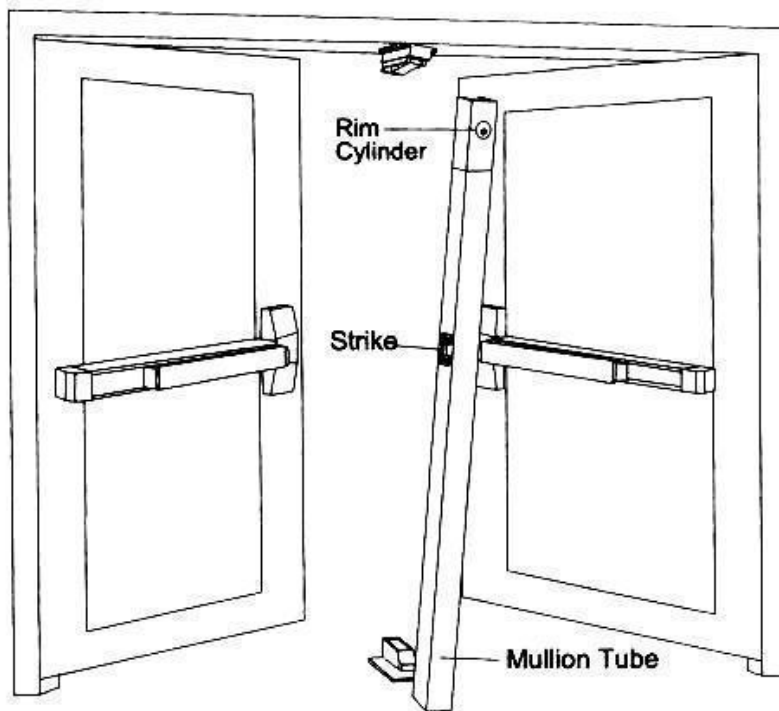
Non Rated

Mullion

**Note:** Use in Non Rated Openings With Panic Exit Devices

**Specifications:**

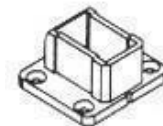
<b>Mullion Tube</b>	2" (51mm) wide x 3" (76mm) deep, with wall thickness of 1/8" (3mm) 11 Gauge Steel Tube
<b>Mullion Length</b>	Available 7' (2134mm), 8' (2438mm) or 10' (3048mm) Mullions Can Be Field Cut to Size
<b>Cylinder Type</b>	Rim Cylinder or Rim IC Housing
<b>Top Bracket</b>	Steel Construction
<b>Bottom Bracket</b>	Steel, Anchored by 4 hex bolts with nonferrous anchors
<b>Shims</b>	1/2" (13mm) and 5/8" (16mm) shims included
<b>Fasteners</b>	2 FHMS, 5/16"-18 x 1-1/2", 4 FHMS, 5/16"-18 X 5/8", 4 HHMS, 5/16"-18 x 1-1/4", All Screws Fasteners Made of Steel 4 Expansion Anchors, 5/8"dia. x 7/8", nonferrous alloy
<b>Strike Prep</b>	Accommodates 2 E801 Strikes ( Not Included ) See Page 27
<b>Operation</b>	Mullion Can Be Snapped & Locked Into The Top Bracket. Without The Use of A Key However A Key Required to Remove Mullion.



**E752  
Top Brackett**



**E801 Strike  
Two Required**



**E755  
Btm Brackett**

**Finishes :** 600P (Prime Powder Coat Gray) Other Finishes By Request





MODEL	PRODUCT DESCRIPTIONS & FEATURES	E-25
-------	---------------------------------	------

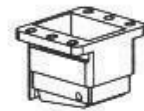
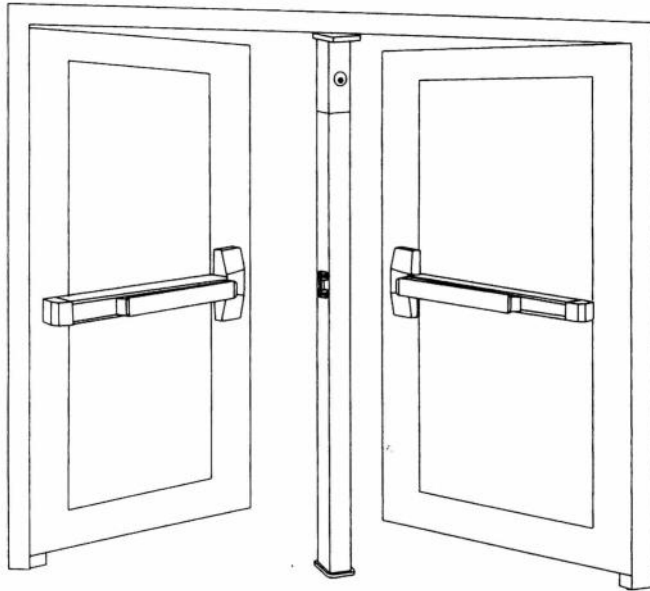
**E7200**

Key Removable  
Fire Rated  
Mullion

**Note:** Use in Fire Rated Openings With Fire Rated Exit Devices

**Specifications:**

<b>Mullion Tube</b>	2" (51mm) wide x 3" (76mm) deep, with wall thickness of 1/8" (3mm) 11 Gauge Steel Tube
<b>Mullion Length</b>	Available 7' (2134mm), 8' (2438mm) Mullions Can Be Field Cut to Size
<b>Cylinder Type</b>	Rim Cylinder or Rim IC Housing
<b>Shims</b>	1/2" (13mm) and 5/8" (16mm) shims included
<b>Fasteners</b>	2 FHMS, 5/16"-18 x 1-1/2", 4 FHMS, 5/16"-18 X 5/8", 4 HHMS, 5/16"-18 x 1-1/4", All Screws Fasteners Made of Stainless Steel 4 Expansion Anchors, 1/2"dia. x 1-1/2", Steel
<b>Strike Prep</b>	Accommodates two Mullion Strikes E688 & Strike Hook E689
<b>Operation</b>	Mullion Can Be Snapped & Locked Into Top Bracket. Without The Use of A Key However Key Required to Remove Mullion



**E752F**  
Top Brackett

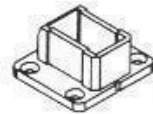
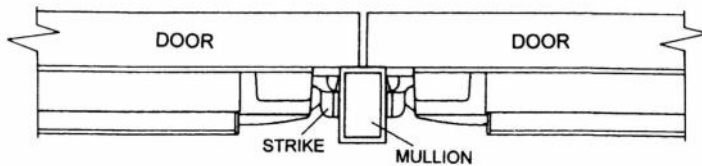


**E688**  
Strike



**E689**  
Strike Hook

The removable Mullion is used for with two Rim Devices on double doors.



**E755F**  
Btm Brackett

**Finishes :** 600P (Prime Powder Coat Gray) Other Finishes By Request

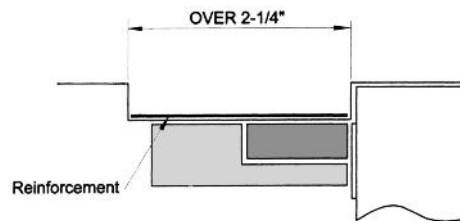
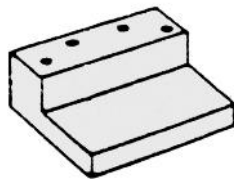
## MOUNTING BRACKET

### MOUNTING BRACKETS

Occasionally The Top Jamb Does Not Have Enough Width to Support a Coordinator. In that instance a mounting Bracket Must be Added to The Installation. Please see the Information Below.

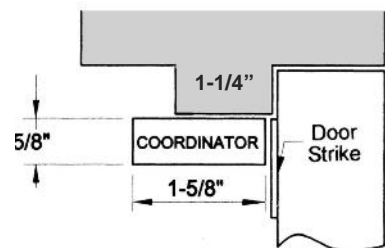
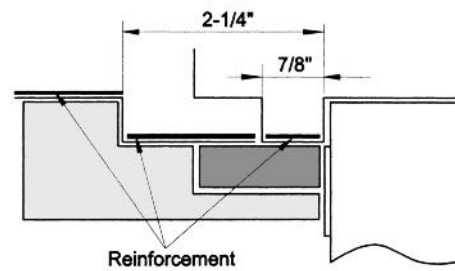
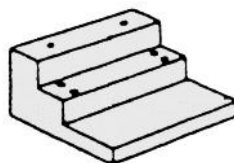
#### EMB2

Mounting Bracket For Stop  
Width Over 2-1/4"

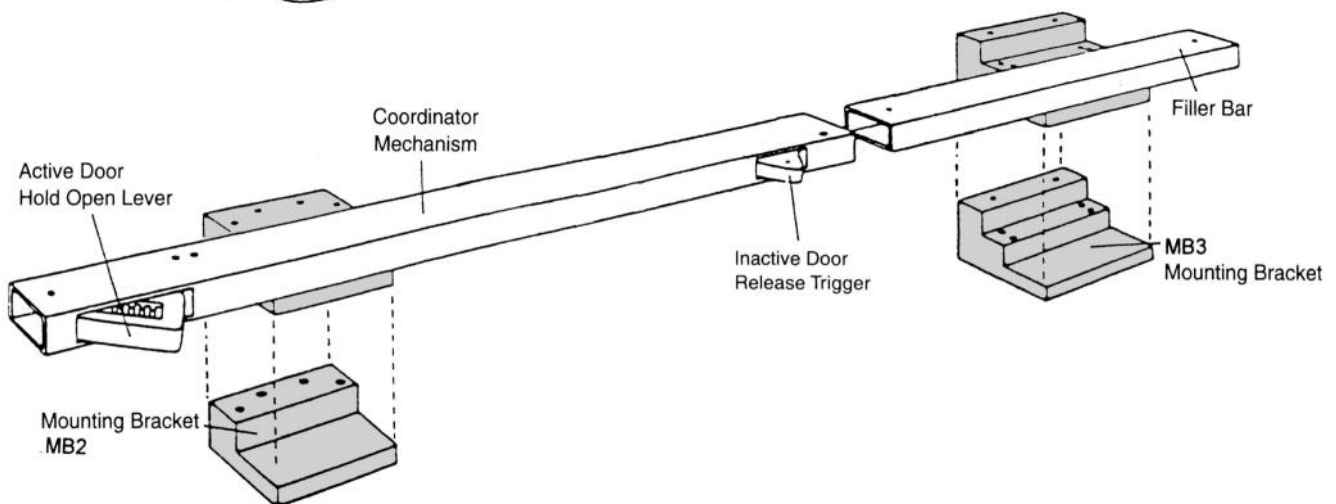


#### EMB3

Mounting Bracket For Stop  
Width 7/8" - 2-1/4"



Standard Coordinator  
on Minimum Stop Width



Finishes : 600P (Prime Powder Coat Gray) Other Finishes By Request



**MODEL** **PRODUCT DESCRIPTIONS & FEATURES** **E-27**

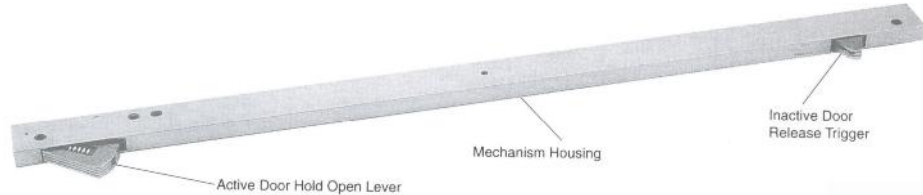
**Bar Coordinators**

Door Coordinators are Used On A Pair of Doors, One Active and One Inactive, Where Both Doors Swing In The Same Direction. In Certain Circumstances, the Inactive Door Must Close And Latch Before The Active Door . (For Example), When the Active door has an astragal or when the inactive door is using self latching or automatic flushbolts. Door Coordinators Control The closing Sequence of the Doors.

**E6042** 42"(1067mm)

**E6052** 52"(1321mm)

**E6060** 60"(1524mm)



Brookline Bar Coordinators are constructed of steel base material and mount on the top of the frame. When Used in Conjunction with a filler bar, the coordinator blends into the frame and looks like an intragal part of the frame.

**FILLER BARS**

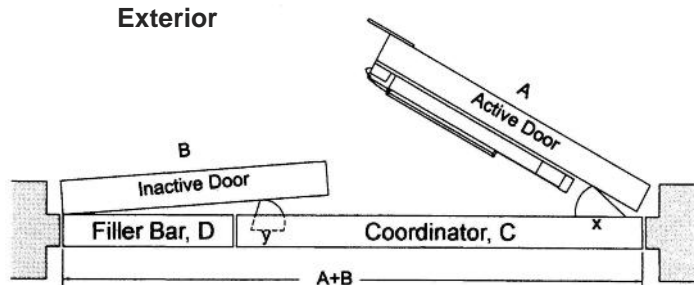
Filler Bars are Used in Conjunction with a Bar Coordinator to Fill The Gap on the top of the frame when a Bar Coordinator does not cover the entire header. Filler Bars Are Sold in Standard Sizes to Accommodate the most common Frame Widths, but They can also be cut to size if necessary.

**E6612** 12"(305mm)

**E6620** 20"(508mm)

**E6636** 36"(914mm)

**E6648** 48"(1219mm)



**Door Coordinator & Filler Bars Parings**

Door Leaf Width Active(A)+Inactive(B)	Top Frame Inside Dim	Coordinator Length (C)	Filler Length(D)	Model No's
30"(762) 30"(762mm)	60"(1524)	42" (1067mm) 52"(1321mm)	18" (457mm) 8" (203mm)	E6042 + E6620* E6052 + E6612*
36"(914) 36"(914mm)	72"(1829)	42" (1067mm) 52"(1321mm)	52" (1321mm) 60" (1524mm)	E6052 + E6620 E6060 + E6612
48"(1219) 48"(1219mm)	96"(2438)	60" (1524mm)	36" (1321mm)	E6060 + E6636
54"(1371) 54"(1371mm)	108"(2743)	60" (1524mm)	48" (1219mm)	E6060 + E6648

**Finishes** : 600P (Prime Powder Coat Gray) Other Finishes By Request

\* Requires Field Cut

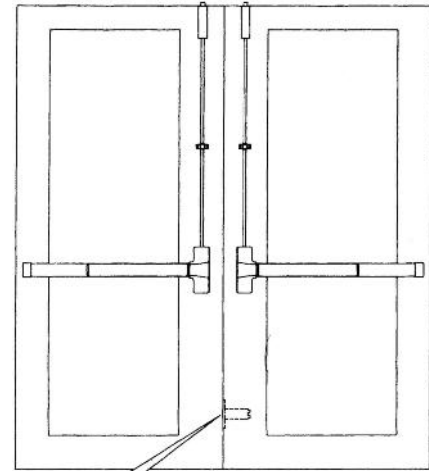
**EFLB**

**FIRE LATCH BOLT**

A Fire Latch Bolt is a Stainless Steel Temperature Actuated Bolt Designed For a Pair of Surface or Concealed LBR (Less Bottom Rod) During a Fire This Fire Bolt Will Release Near The Bottom of a Pair of Doors and Keep Both Doors in Alignment As Heat and Pressure Try to Separate Them.

**SPECIFICATION**

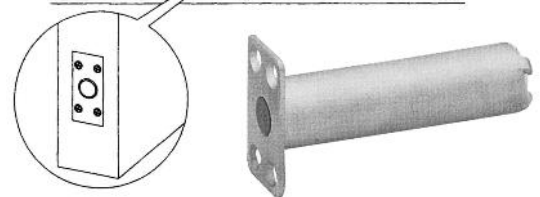
- Faceplate 1-25/32" x 1" (45 x 25.4mm)
- Bolt Diameter 27/32" (21.6mm)
- Bolt Length 3-5/32"(80mm)
- Material 304 Stainless Steel



**EDCK**

**Cylinder Dogging Kit**

Kit Replaces Hex Key Dogging on Non Fire Rated Devices Only. Unit Requires 1-1/4"(32mm) Mortise Cylinder or IC Shell



**Mortise & Rim Cylinders & Cores**



**P-ICMC6**  
6 Pin Mortise Shell

**PICMC7**  
7 Pin Mortise Shell



**P-ICRC6**  
6 Pin Rim Cylinder Shell

**P-ICRC7**  
7 Pin Rim Cylinder Shell



**P-IC6G**  
6 Pin Interchangeable Core

**P-IC7G**  
7 Pin Interchangeable Core

**Technical Note:** 6 and 7 Pin Cores Only Available in 606, or 626 Finish

**Finishes :** 619, 626, 630 Standard Other Architectural Finishes By Special Order

### Exit Device Strikes E-29

#### Rim Strikes



Projection  
13/16" (21mm)

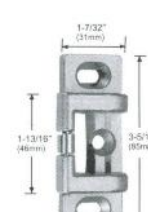
**E801**  
E5110 or E5210



Projection  
13/16" (21mm)

**E802**  
E5110F or E5210F

#### Mullion Strikes



Projection  
7/8" (22.5mm)

**E888**  
E5110F or 5210F



Projection  
7/8" (22.5mm)

**E689**  
E5130F or 5230F

#### Top Strikes



Projection  
29/32" (23mm)

Projection  
1-1/8" (29mm)

**E812**  
E5130 or E5230



Projection  
1-1/8" (29mm)

**E822**  
E5130F or E5230F



Projection  
1-7/8" (48mm)

**E813**  
E5150 or E5250



Projection  
1-7/8" (48mm)

**E823**  
E5150F or E5250F

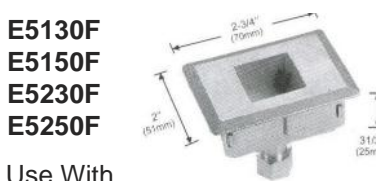
#### Bottom Strikes



**E5130**  
**E5150**  
**E5230**  
**E5250**

Use With

**E-815**

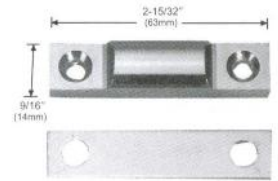


**E5130F**  
**E5150F**  
**E5230F**  
**E5250F**

Use With

**E825**

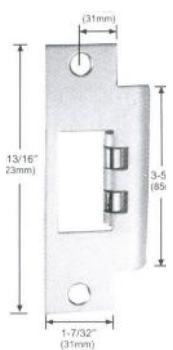
#### Threshold Strikes




**E862**

Projection 6/16" (9.5mm)

#### Mortise Strikes



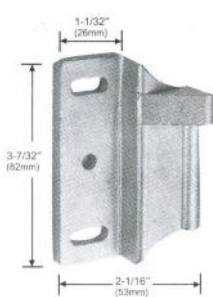
**E818**  
For E5120



**E828**  
For E5120F

#### Double Door Strikes

Projection 1-15/16" (33mm)



**E720**

#### Sex Nuts & Bolts (SNB)



**E618 SNB 1-3/4" (44mm) Door**  
**E623 SNB 2-1/4" (57mm) Door**  
**E630 SNB 2-1/2" (64mm) Door**